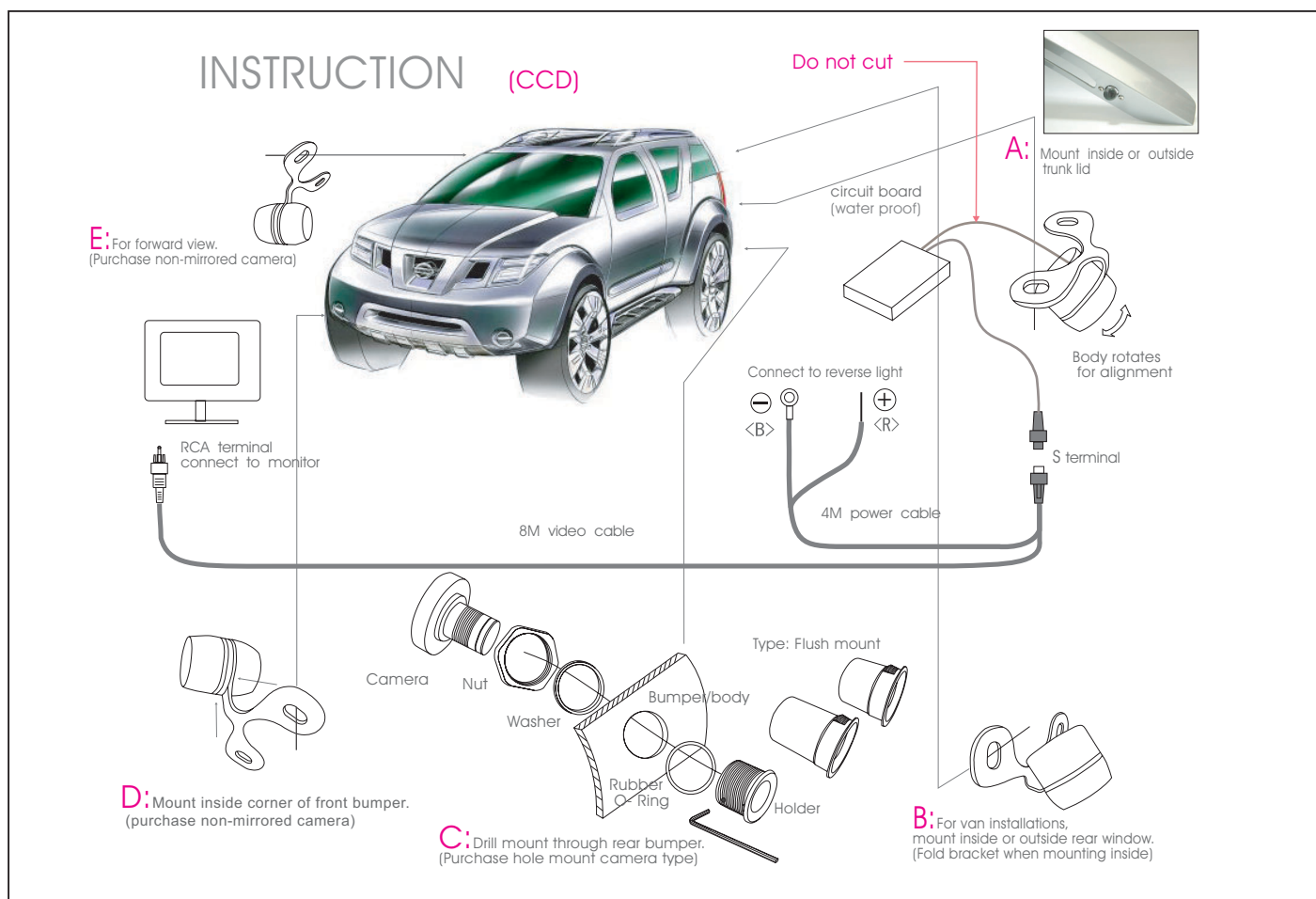




REARVIEW CCD CAMERA



Specification:

	Item NO:	MS-EC54	MS-EC514	MS-EC524
	Image Sensor:	1/4" COLOR CCD	1/4" COLOR CCD	1/4" COLOR CCD
	Pixels:	NTSC / PAL (Optional)	NTSC / PAL (Optional)	NTSC / PAL (Optional)
	Mil Illumination:	0.5 Lux	0.3 Lux at F2.0	0.3 Lux at F2.0
	Resolution(TV Line):	350 TV Lines	350 TV Lines	350 TV Lines
	Electronic Shutter:	1/50-1/100,000 Sec.	1/50-1/120,000 Sec.	1/50-1/120,000 Sec.
	Lens:	3.6mm	1.9mm	1.9mm
	Angle View:	70 Degree	130 Degree	150 Degree
	Power Source:	DC 12V (Standard)	DC 12V (Standard)	DC 12V (Standard)
	Power Current:	40mA	40mA	40mA

	Item NO:	MS-EC84	MS-EC814	MS-EC824
	Image Sensor:	1/4" COLOR CCD	1/4" COLOR CCD	1/4" COLOR CCD
	Pixels:	NTSC / PAL (Optional)	NTSC / PAL (Optional)	NTSC / PAL (Optional)
	Mil Illumination:	0.5 Lux	0.3 Lux at F2.0	0.3 Lux at F2.0
	Resolution(TV Line):	350 TV Lines	350 TV Lines	350 TV Lines
	Electronic Shutter:	1/50-1/100,000 Sec.	1/50-1/120,000 Sec.	1/50-1/120,000 Sec.
	Lens:	3.6mm	1.9mm	1.9mm
	Angle View:	70 Degree	130 Degree	150 Degree
	Power Source:	DC 12V (Standard)	DC 12V (Standard)	DC 12V (Standard)
	Power Current:	40mA	40mA	40mA

	Item NO:	MS-BC34
	Image Sensor:	1/4" COLOR CCD
	Pixels:	NTSC / PAL (Optional)
	Mil Illumination:	1 Lux at F2.8
	Resolution(TV Line):	350 TV Lines
	Electronic Shutter:	1/50-1/120,000 Sec.
	Lens:	2.1mm
	Angle View:	130 Degree
	Power Source:	DC 12V (Standard)
	Power Current:	40mA

	Item NO:	MS-BC314
	Image Sensor:	1/4" COLOR CCD
	Pixels:	NTSC / PAL (Optional)
	Mil Illumination:	1 Lux at F2.8
	Resolution(TV Line):	350 TV Lines
	Electronic Shutter:	1/50-1/120,000 Sec.
	Lens:	2.1mm
	Angle View:	130 Degree
	Power Source:	DC 12V (Standard)
	Power Current:	40mA

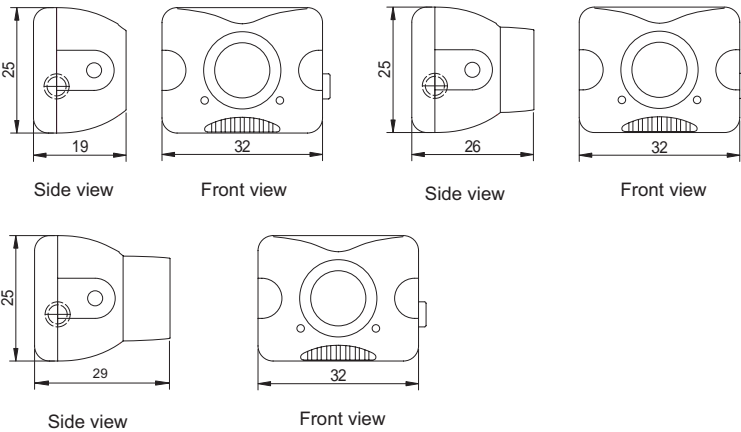


REARVIEW CCD CAMERA

Specification:

Item NO.	MS-AC14	MS-AC24	MS-AC44
Video System	NTSC/PAL		
Number of Effective Pixels	510X492(NTSC) / 500X582(PAL)		
CCD Image Sensor	1/4" Interline CCD		
Scanning System	2:1 INTERLACE		
Synchronization	INTERNAL		
Resolution (TV Lines)	350 TV LINE		
S/N Ratio	more than 48dB		
Minimum Illumination	0.5 Lux at F 1.4		
Electronic Shutter	1/50 - 1/120000		
Horizontal Sync Frequency	NTSC-15.734kHz / PAL-15.625kHz		
Vertical Sync Frequency	NTSC-60Hz / PAL-50Hz		
Gamma Consumption	0.45		
Video Output	1Vp-p , 75ohms Composite		
Audio Output (H.S)	Frequency 20-16000Hz,S/N ratio more than 63dB SPL(at 1000Hz))(Ordering in advance)		
Audio Standard	Frequency 20-16000Hz,S/N ratio more than 58dB		
Built-In Lens	1.9mm/F2.0	3.6mm/F2.0	1.67mm/F2.0
Storage Temperature	-30 to 60 Degree C		
Working Temperature	-10 to 45 Degree C		
Power Source	DC 9 ~ 12V(standard)		
Power Current	150mA(max)		
Dimension(mm)	32x19x25	32x29x25	32x26x25

Camera



Other angle lens please inquire for details.

Unit:mm(Approx.)

Ordering Information:

MODEL	MIRROR	VIEW	NOTE
MS-AC14N	N/A	130 Degrees	NTSC-250K
MS-AC14P	N/A	130 Degrees	PAL-290K
MS-AC14R-N	Mirror	130 Degrees	NTSC-250K
MS-AC14R-P	Mirror	130 Degrees	PAL-290K
MS-AC44N	N/A	150 Degrees	NTSC-250K
MS-AC44P	N/A	150 Degrees	PAL-290K
MS-AC44R-N	Mirror	150 Degrees	NTSC-250K
MS-AC44R-P	Mirror	150 Degrees	PAL-290K
MS-AC24N	N/A	70Degrees	NTSC-250K
MS-AC24P	N/A	70 Degrees	PAL-290K
MS-AC24R-N	Mirror	70 Degrees	NTSC-250K
MS-AC24R-P	Mirror	70 Degrees	PAL-290K

Rearview CCD Camera:



Feature:

- Water Proof (IP67) Color CCD Camera
- Wide Angle Mirror Image View for Reverse Back Up System.
- Compact and lightweight design.
- Optional:mirror





REARVIEW CCD CAMERA

Specification:



Item NO:	MS-BC324
Image Sensor:	1/4" COLOR CCD
Pixels:	NTSC / PAL (Optional)
Mil Illumination:	0.5 Lux / F 2.8
Resolution(TV Line):	350 TV Lines
Electronic Shutter:	1/50-1/120,000 Sec.
Lens:	1.9mm
Angle View:	150 Degree
Power Source:	DC 12V (Standard)
Power Current:	40mA

Dimensions:
26mm(Diameter)



Item NO:	MS-AC54
Image Sensor:	1/4" COLOR CCD
Pixels:	NTSC / PAL (Optional)
Mil Illumination:	1 Lux
Resolution(TV Line):	350 TV Lines
Electronic Shutter:	1/50-1/120,000 Sec.
Lens:	1.9mm
Angle View:	130 Degree
Power Source:	DC 12V (Standard)
Power Current:	40mA



Item NO:	MS-DC54
Image Sensor:	1/4" COLOR CCD
Pixels:	NTSC / PAL (Optional)
Mil Illumination:	1 Lux
Resolution(TV Line):	350 TV Lines
Electronic Shutter:	1/50-1/120,000 Sec.
Lens:	1.9mm
Angle View:	130 Degree
Power Source:	DC 12V (Standard)
Power Current:	40mA

Dimensions:
19mm(Diameter)



Ordering Information:

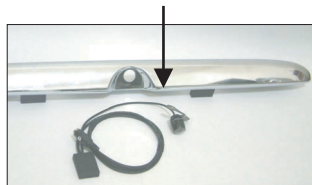
ITEM NO	PIXELS NTSC PAL	PIXELS EIA CCIR	MIRROR
MS-XXXX-N	NTSC-250K	/	NONE
MS-XXXX-P	PAL-290K	/	NONE
MS-XXXX-C	/	EIA-250K	NONE
MS-XXXX-E	/	CCIR-290K	NONE
MS-XXXXR-N	NTSC-250K	/	Mirror
MS-XXXXR-P	PAL-290K	/	Mirror
MS-XXXXR-C	/	EIA-250K	Mirror
MS-XXXXR-E	/	CCIR-290K	Mirror

Feature:

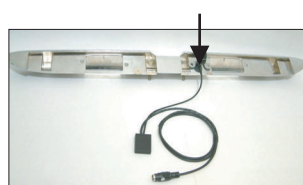
- Water Proof (IP67) B/W & Color CCD Camera.
- Wide Angle Mirror Image View for Reverse Back Up System.
- Compact and lightweight design.

How to install the camera below the trunk lid:

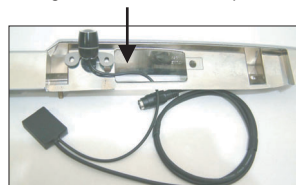
1. Uninstall the trunk lid from the trunk



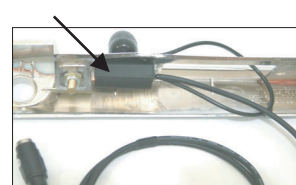
2. Attach the camera below the trunk lid



3. Insert the cable and the main circuit box through the hole of license-plate's light



4. Fix the main circuit box (water proofed) in the chamber behind the trunk lid



5. Finish view



6. Insert the cable with S terminal into the trunk via the cable's hole of license-plate's light



Different view range from very type camera