

PINOUT N9 Radio

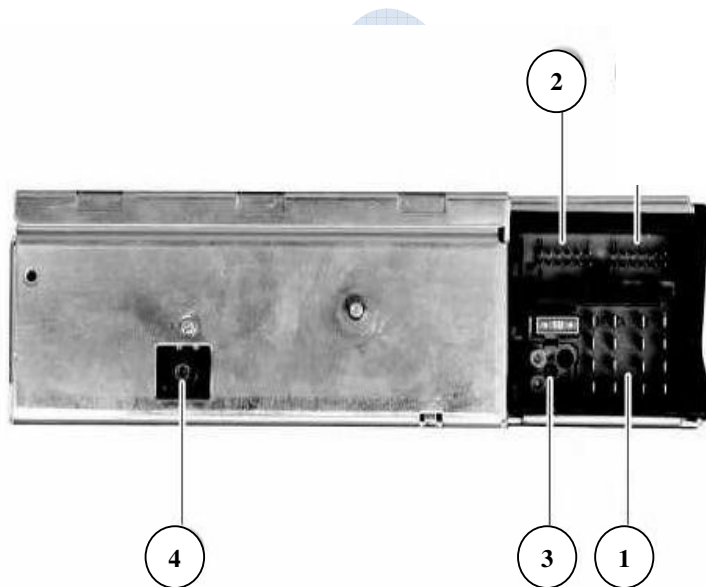
- X1381216 Pin
- X1381312 Pin
- X138152 Pin
- X13816 1 Pin



PINOUT X13812 (1)

- 1 Out Signal + Rear Right
- 2 Out Signal + Front Right
- 3 Out Signal + Front Left
- 4 Out Signal + Rear Left
- 5 M Signal - Rear Right
- 6 M Signal - Front Right
- 7 M Signal - Front Left
- 8 M Signal - Rear Left

- 9 A/E Signal CAN-Bus Low
- 10 E Signal Phone MUTE
- 11 A/E Signal CAN-Bus High
- 12 M GND
- 13 12V ANT OUT
- 14 12V Illumination
- 15 12V Directo
- 16



PINOUT X13813 (2)

- 1 FAN Out
- 2 AUX IN Left
- 3 Bass Out +
- 4 Bass Out +
- 5 FAN GND
- 6 MIC / Tel +
- 7 AUX IN Right
- 8 AUX IN GND
- 9 Bass Out -
- 10 Bass Out -
- 11 FAN In
- 12 MIC / Tel -

PINOUT X13815 (3)

- 1 A/E Signal MOST-Bus FIBER OPTIC
- 2 A/E Signal MOST-Bus FIBER OPTIC

PINOUT X13816 (4)

Radio Antenna IN Diversity Roof

PINOUT N38a CCC/M-ASK

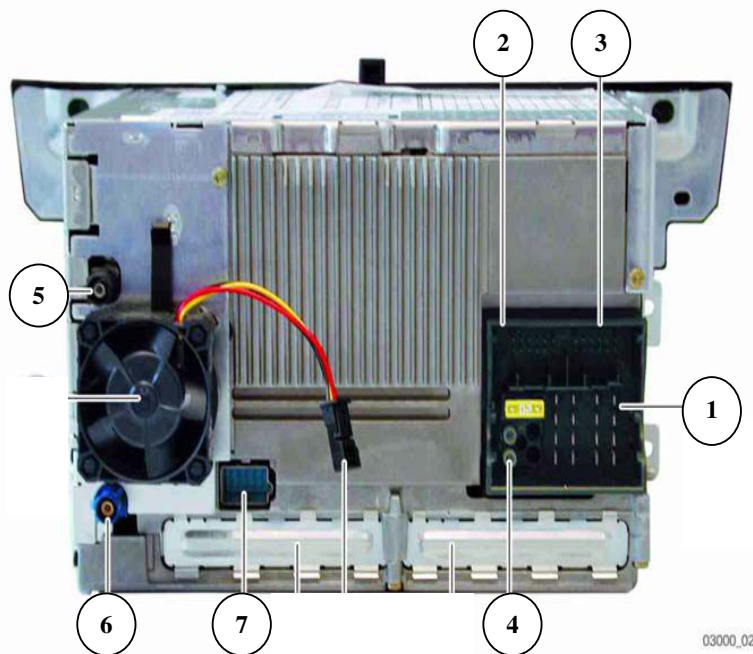
X13812.....	16 Pin	CCC/M-ASK
X13813.....	12 Pin	CCC/M-ASK
X13814.....	12 Pin	CCC/M-ASK
X13815.....	2 Pin	CCC/M-ASK
X13816.....	1 Pin	CCC/M-ASK
X13817.....	1 Pin	CCC/M-ASK
X13820.....	10 Pin	CCC/M-ASK



PINOUT X13812 (1)

- 1 Out Signal + Rear Right
- 2 Out Signal + Front Right
- 3 Out Signal + Front Left
- 4 Out Signal + Rear Left
- 5 M Signal - Rear Right
- 6 M Signal - Front Right
- 7 M Signal - Front Left
- 8 M Signal - Rear Left

- 9 A/E Signal CAN-Bus Low
- 10 E Signal Phone MUTE
- 11 A/E Signal CAN-Bus High
- 12 M GND
- 13 12V ANT OUT
- 14 12V Illumination
- 15 12V Directo
- 16



PINOUT X13813 (2)

- 1 FAN Out
- 2 AUX IN Left
- 3 Bass Out +
- 4 Bass Out +
- 5 FAN GND
- 6 MIC / Tel +
- 7 AUX IN Right
- 8 AUX IN GND
- 9 Bass Out -
- 10 Bass Out -
- 11 FAN In
- 12 MIC / Tel -

PINOUT X13814 (3)

- 1 MIC +
- 2 Video TV In GND
- 3
- 4 Video TV In
- 5
- 6 MIC -
- 7
- 8
- 9
- 10
- 11 Video TV SHIELD
- 12 Speed Signal (DSC)

PINOUT X13815 (4)

- 1 A/E Signal MOST-Bus FIBER OPTIC
- 2 A/E Signal MOST-Bus FIBER OPTIC

PINOUT X13816 (5)

Radio Antenna IN Diversity Roof

PINOUT X13817 (6)

GPS Antenna IN

PINOUT X13820 (7)

- 1 LVDS channel 2 (positive) to CID
- 2 LVDS channel 2 (negative) to CID
- 3
- 4 LVDS channel 1 (positive) to CID
- 5 LVDS channel 1 (negative) to CID
- 6 LVDS clock (positive) to CID
- 7 LVDS clock (negative) to CID
- 8
- 9 LVDS channel 0 (positive) to CID
- 10 LVDS channel 0 (negative) to CID

PINOUT CID (Central Information Display)

X1382212 Pin
X1382310 Pin

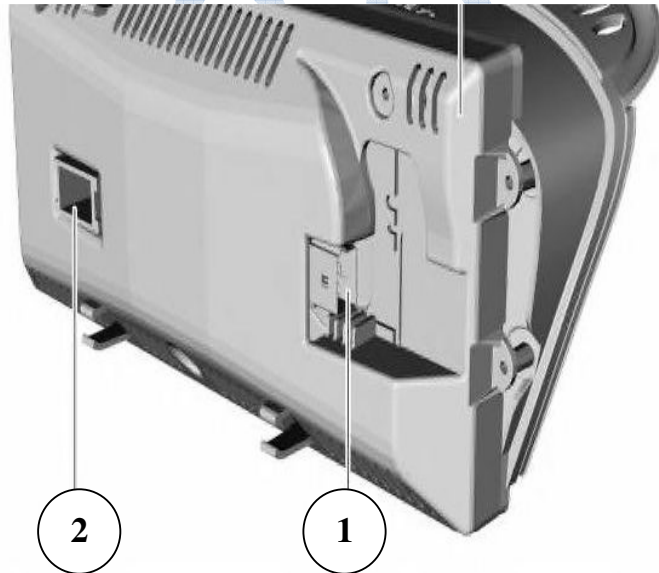
PINOUT X13822 (1)

- 1 12V Directo
- 2
- 3 GND
- 4
- 5 A/E Signal CAN-Bus High
- 6 A/E Signal CAN-Bus Low
- 7
- 8
- 9
- 10
- 11
- 12



PINOUT X13823 (2)

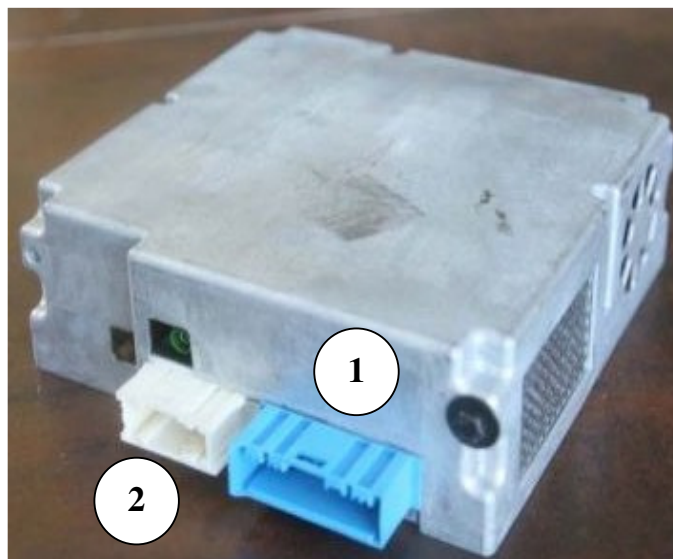
- 1 E LVDS channel 2 (positive)
- 2 E LVDS channel 2 (negative)
- 3
- 4 E LVDS channel 1 (positive)
- 5 E LVDS channel 1 (negative)
- 6 E LVDS clock (positive)
- 7 E LVDS clock (negative)
- 8
- 9 E LVDS channel 0 (positive)
- 10 E LVDS channel 0 (negative)



PINOUT VIDEO MODULE A197

PINOUT X18803 (1)

- 1 GND
- 2
- 3
- 4 Video Out
- 5
- 6 Video Out SHIELD to CCC
- 7
- 8
- 9
- 10
- 11 12V Direct
- 12
- 13 Video Out GND
- 14
- 15
- 16
- 17
- 18
- 19
- 20 21 & 22: A/E Signal MOST-Bus FIBER OPTIC



PINOUT X18804 (2)

- 1
- 2 Rear Camera Video IN
- 3
- 4
- 5
- 6 Rear Camera Video GND
- 7
- 8
- 9
- 10
- 11
- 12
- 13
- 14
- 15
- 16
- 17
- 18

PINOUT X13918

Ant TV1 Input

PINOUT X13919

Ant TV2 Input